



TOWN OF SEWALL'S POINT BUILDING DEPARTMENT
One S. Sewall's Point Road
Sewall's Point, Florida 34996
Tel 772-287-2455 Fax 772-2204765

ELECTRICAL CHECKLIST

A document review will be performed on the following items prior to the submittal of a permit application. Failure to submit these items will result in the application package returned to the applicant until the deficient documents are included. This review sheet must accompany the application submittal.

Please make sure you have ALL required copies before submitting permit application

The following minimum requirements must be provided for permitting and inspections:

- 1 Copy Completed application
- 1 Copies Electrical Load Calculations
- 1 Copies Electrical Riser Plan - Service Change and Temp Pole only on sketch provided, please provide an appropriate electrical riser for all other new electrical work.

**PLEASE DO NOT SUBMIT THIS FORM FOR NEW GENERATOR INSTALLATIONS.
USE STANDBY GENERATOR APPLICATION FORMS ONLY.**

Town of Sewall's Point

BUILDING PERMIT APPLICATION

Date: _____ Permit Number: _____

OWNER/LESSEE NAME: _____ Phone(Day) _____ Fax _____

Job Site Address: _____ City: _____ State: _____ Zip: _____

Legal Description: _____ Parcel Control Number: _____

Fee Simple Holder Name: _____ Address: _____

City: _____ State: _____ Zip: _____ Telephone: _____

* SCOPE OF WORK (BE SPECIFIC):

WILL OWNER BE THE CONTRACTOR?

(If yes, Owner Builder questionnaire must accompany application)

YES _____ NO _____

Has a Zoning Variance ever been granted on this property?

Yes _____ Year _____ No _____

(Must include copy of all variance approvals with application)

COST AND VALUES: (Required on ALL permit applications)

Estimated Value of Improvements: \$ _____

(Notice of Commencement required when over \$2500 prior to first inspection, \$7500 on HVAC Change out)

** Is subject property located in flood hazard area? VE8__VE7__AE8__AE7__AE6__X__X500__

FOR ADDITIONS, REMODELS AND RE-ROOF APPLICATIONS ONLY:

Estimated Fair Market Value prior to improvement: \$ _____

(Fair Market Value of the primary structure only. Minus the land value)

PRIVATE APPRAISALS MUST BE SUBMITTED WITH PERMIT APPLICATION

Construction Company: _____ Phone: _____ Fax: _____

Qualifiers name: _____ Street: _____ City: _____ State: _____ Zip: _____

State License Number: _____ OR: Municipality: _____ License Number: _____

LOCAL CONTACT: _____ Phone Number: _____

DESIGN PROFESSIONAL: _____ Fla. License# _____

Street: _____ City: _____ State: _____ Zip: _____ Phone Number: _____

AREAS SQUARE FOOTAGE: Living: _____ Garage: _____ Covered Patios/ Porches: _____ Enclosed Storage: _____

Carport: _____ Total under Roof _____ Elevated Deck: _____ Enclosed area below BFE*:

* Enclosed non-habitable areas below the Base Flood Elevation greater than 300 sq. ft. require a Non-Conversion Covenant Agreement.

**CODE EDITIONS IN EFFECT THIS APPLICATION: Florida Building Code (Structural, Mechanical, Plumbing, Existing, Gas): 2014
National Electrical Code: 2011, Florida Energy Code: 2014, Florida Accessibility Code: 2014, Florida Fire Prevention Code: 2014**

WARNINGS TO OWNERS AND CONTRACTORS:

1. YOUR FAILURE TO RECORD A NOTICE OF COMMENCEMENT MAY RESULT IN YOUR PAYING TWICE FOR IMPROVEMENTS TO YOUR PROPERTY. WHEN FINANCING, CONSULT WITH YOUR LENDER OR AN ATTORNEY BEFORE RECORDING YOUR NOTICE OF COMMENCEMENT. A NOTICE OF COMMENCEMENT MUST BE RECORDED AND POSTED ON THE JOB SITE BEFORE THE FIRST INSPECTION.
2. IT IS YOUR RESPONSIBILITY TO DETERMINE IF YOUR PROPERTY IS ENCUMBERED BY ANY DEED RESTRICTIONS. SOME RESTRICTIONS APPLICABLE TO THIS PROPERTY MAY BE FOUND IN THE PUBLIC RECORDS OF MARTIN COUNTY OR THE TOWN OF SEWALL'S POINT. THERE MAY BE ADDITIONAL PERMITS REQUIRED FROM OTHER GOVERNMENTAL ENTITIES SUCH AS WATER MANAGEMENT DISTRICTS, STATE AGENCIES, OR FEDERAL AGENCIES.
3. BUILDING PERMITS FOR SINGLE FAMILY RESIDENCES AND SUBSTANTIAL IMPROVEMENTS TO SINGLE FAMILY RESIDENCES ARE VALID FOR A PERIOD OF 24 MONTHS. RENEWAL FEES WILL BE ASSESSED AFTER 24 MONTHS PER TOWN ORDINANCE 50-95.
4. THIS PERMIT WILL BECOME *NULL AND VOID* IF THE WORK AUTHORIZED BY THIS PERMIT IS NOT COMMENCED WITHIN 180 DAYS, OR IF WORK IS SUSPENDED OR ABANDONED FOR A PERIOD OF 180 DAYS AT ANY TIME AFTER THE WORK IS COMMENCED. ADDITIONAL FEES WILL BE ASSESSED ON ANY PERMIT THAT BECOMES NULL AND VOID. REF. FBC 2014 SECT. 105.4.1, 105.4.1.1 - .5.

******* A FINAL INSPECTION IS REQUIRED ON ALL BUILDING PERMITS*********AFFIDAVIT: APPLICATION IS HEREBY MADE TO OBTAIN A PERMIT TO DO THE WORK AS SPECIFICALLY INDICATED ABOVE. I CERTIFY THAT NO WORK OR INSTALLATION HAS COMMENCED PRIOR TO THE ISSUANCE OF A PERMIT AND THAT THE INFORMATION I HAVE FURNISHED ON THIS APPLICATION IS TRUE AND CORRECT TO THE BEST OF MY KNOWLEDGE. I AGREE TO COMPLY WITH ALL APPLICABLE CODES, LAWS, AND ORDINANCES OF THE TOWN OF SEWALL'S POINT.**

OWNER /AGENT/LESSEE - NOTARIZED SIGNATURE:

X _____
State of Florida, County of: _____
On This the _____ day of _____, 20____
by _____ who is personally
known to me or produced _____
As identification. _____

Notary Public

My Commission Expires: _____

CONTRACTOR/LICENSEE NOTARIZED SIGNATURE:

X _____
State of Florida, County of: _____
On This the _____ day of _____, 20____
by _____ who is personally
known to me or produced _____
As identification. _____

Notary Public

My Commission Expires: _____

SINGLE FAMILY PERMIT APPLICATIONS MUST BE ISSUED WITHIN 30 DAYS OF APPROVAL NOTIFICATION (FBC 105.3.4) ALL OTHER APPLICATIONS WILL BE CONSIDERED ABANDONED AFTER 180 DAYS (FBC 105.3.2) – PICK UP YOUR PERMIT PROMPTLY!



TOWN OF SEWALL'S POINT BUILDING DEPARTMENT
 One S. Sewall's Point Road
 Sewall's Point, Florida 34996
 Tel 772-287-2455 Fax 772-2204765

Electrical Load Calculations

Electrical Contractor: _____ License No. _____

Phone #: _____ Fax #: _____

Project: _____ Location : _____

Existing Service Feeder Size: _____ Existing Panel Size: _____

Main Breaker Size: _____ Number of Breakers: _____

Existing Loads

_____ Sq. Ft. X 3 watts per sq. ft.....	_____	watts
_____ Appliance cir. @ 1500 watts each.....	_____	watts
_____ Laundry cir. @ 1500 watts each.....	_____	watts
_____ Range @ 8 kw.....	_____	watts
_____ Dishwasher and disposal @ 1500 watts each.....	_____	watts
_____ Microwave @ 2000 watts.....	_____	watts
_____ Water heater @ 4.5 kw.....	_____	watts
_____ Tank less water heater.....	_____	watts
_____ Dryer @ 5 kw.....	_____	watts
_____ Refrigerator @ 1500 watts.....	_____	watts
_____ Bathroom 1 @ 1500 watts.....	_____	watts
_____ Sprinkler Pump	_____	watts
_____ Other	_____	watts
_____ Other	_____	watts
_____ Other	_____	watts
	_____	Subtotal Watts

New Loads

_____ Pool pump.....	_____	watts
_____ Pool light.....	_____	watts
_____ Heat pump.....	_____	watts
_____ Chlorine generator.....	_____	watts
_____ Blower.....	_____	watts
_____ Boatlift.....	_____	watts
_____ Other	_____	watts
_____ Other	_____	watts
_____ Other	_____	watts

_____ Total Watts

_____ First 10 kw @ 100%.....	_____	watts
_____ Remainder @ 40%.....	_____	watts
_____ A/C heat @ 100%.....	_____	watts

Total watts _____ Divided by 240 volts = _____ Amps _____ Amp service provided

Prepared by: _____ Date: _____

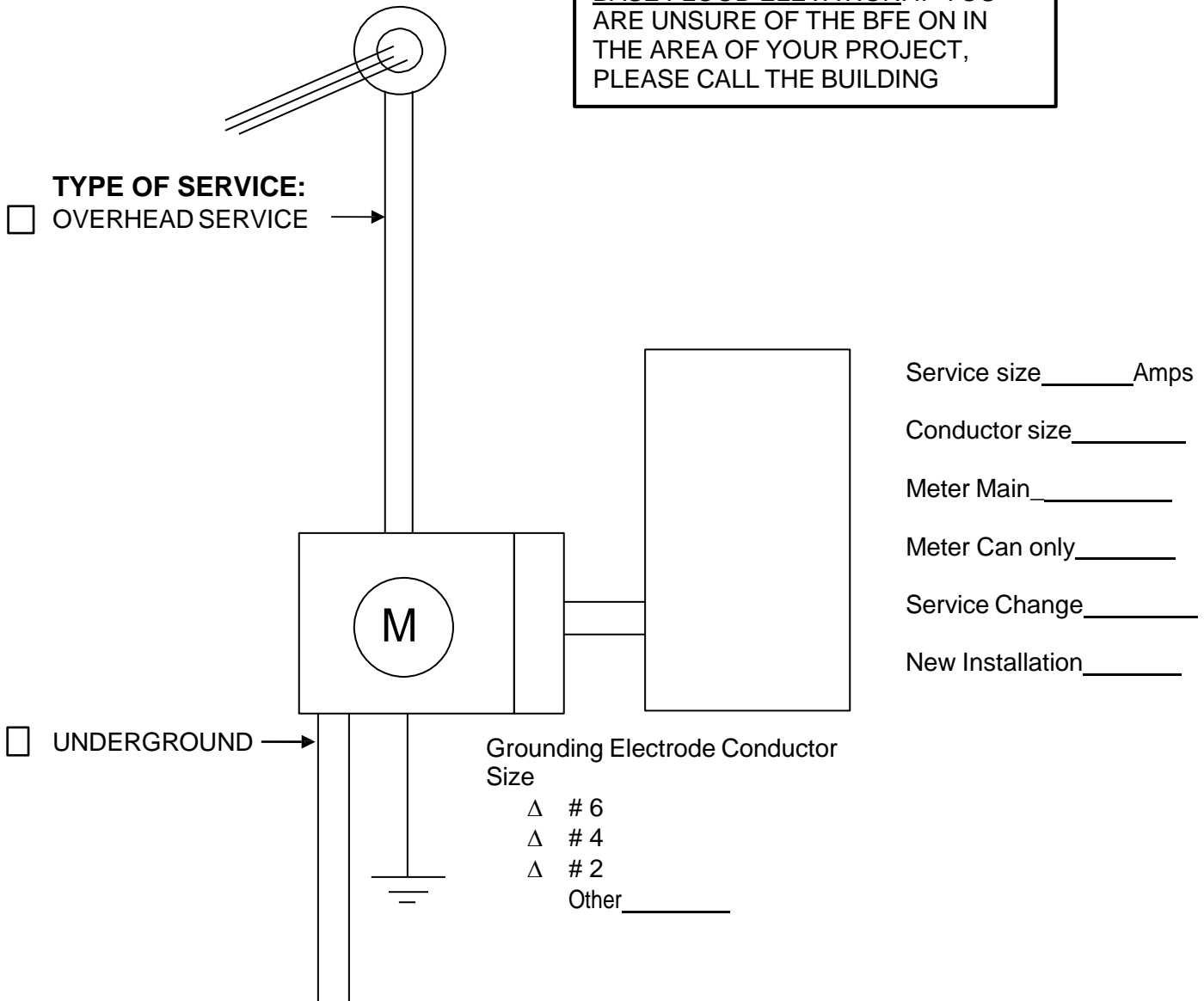


TOWN OF SEWALL'S POINT BUILDING DEPARTMENT
One S. Sewall's Point Road
Sewall's Point, Florida 34996
Tel 772-287-2455 Fax 772-2204765

ELECTRICAL RISER PLAN

For Temporary Power Pole and Single Family Service Change Only

ALL NEW SERVICES (INCLUDING SERVICE CHANGES) MUST BE INSTALLED AT OR ABOVE THE BASE FLOOD ELEVATION. IF YOU ARE UNSURE OF THE BFE ON IN THE AREA OF YOUR PROJECT, PLEASE CALL THE BUILDING

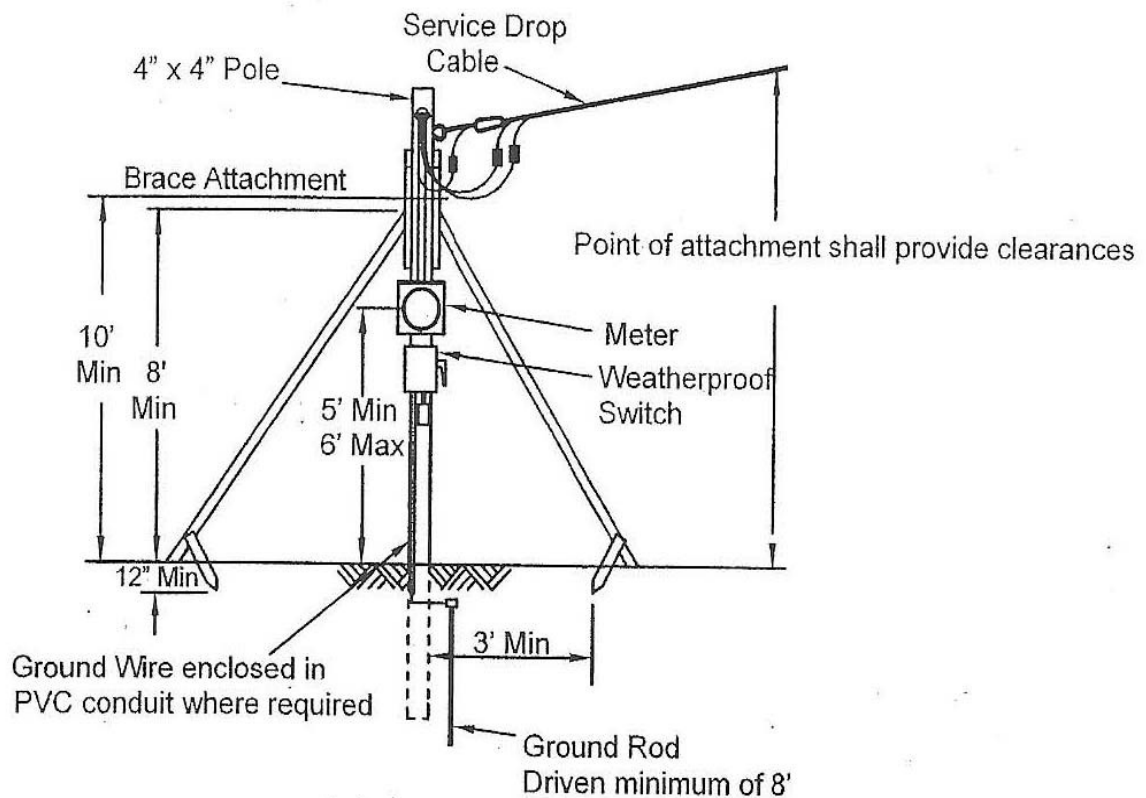
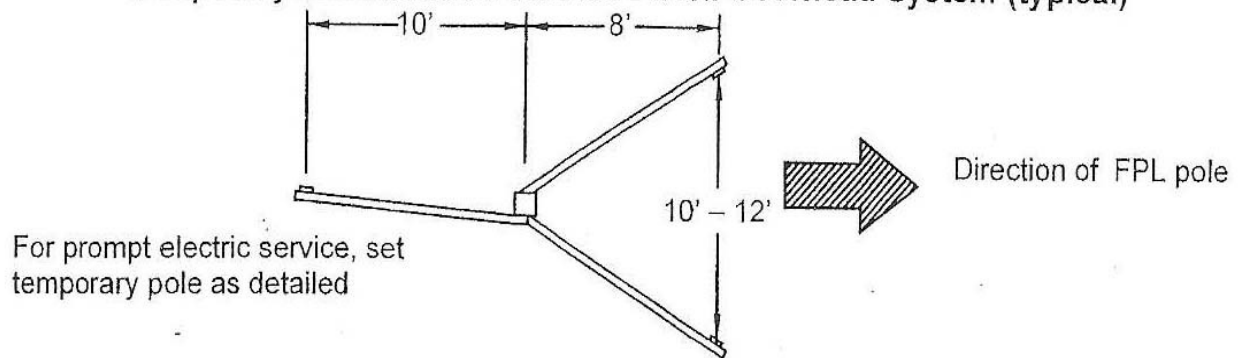




TOWN OF SEWALL'S POINT BUILDING DEPARTMENT
One S. Sewall's Point Road
Sewall's Point, Florida 34996
Tel 772-287-2455 Fax 772-2204765

MINIMUM REQUIREMENTS FOR TEMPORARY POWER POLE

Temporary/Construction Service - from Overhead System (typical)



NOTICE OF COMMENCEMENT

TO BE COMPLETED WHEN CONSTRUCTION VALUE EXCEEDS \$2,500.00 (\$7,500 Mechanical)

PERMIT #: _____ TAX FOLIO #: _____

STATE OF FLORIDA

COUNTY OF MARTIN

THE UNDERSIGNED HEREBY GIVES NOTICE THAT IMPROVEMENT WILL BE MADE TO CERTAIN REAL PROPERTY, AND IN ACCORDANCE WITH CHAPTER 713, FLORIDA STATUTES, THE FOLLOWING INFORMATION IS PROVIDED IN THIS NOTICE OF COMMENCEMENT.

LEGAL DESCRIPTION OF PROPERTY (AND STREET ADDRESS IF AVAILABLE):

GENERAL DESCRIPTION OF IMPROVEMENT: _____

OWNER NAME OR LESSEE INFORMATION, IF LESSEE CONTRACTED FOR THE IMPROVEMENT

NAME: _____
ADDRESS: _____
PHONE NUMBER: _____ FAX _____ NUMBER: _____
INTEREST IN PROPERTY: _____

NAME AND ADDRESS OF FEE SIMPLE TITLE HOLDER (IF OTHER THAN OWNER):

CONTRACTOR: _____
ADDRESS: _____
PHONE NUMBER: _____ FAX NUMBER: _____

SURETY COMPANY (IF APPLICABLE, A COPY OF THE PAYMENT BOND IS ATTACHED) _____
ADDRESS: _____
PHONE NUMBER: _____ FAX _____ NUMBER: _____
BOND AMOUNT: _____

LENDER/MORTGAGE _____ COMPANY: _____
ADDRESS: _____
PHONE _____ NUMBER: _____
FAX NUMBER: _____

PERSONS WITHIN THE STATE OF FLORIDA DESIGNATED BY OWNER UPON WHOM NOTICES OR OTHER DOCUMENTS MAY BE SERVED AS PROVIDED BY SECTION 713.13 (1) (b) , FLORIDA STATUTES:

NAME: _____
ADDRESS: _____
PHONE NUMBER: _____ FAX NUMBER: _____

IN ADDITION TO HIMSELF OR HERSELF, OWNER DESIGNATES _____ OF _____ TO RECEIVE A COPY OF THE LIENOR'S NOTICE AS PROVIDED IN SECTION 713.13(1)(B), FLORIDA STATUTES:

PHONE NUMBER: _____ FAX NUMBER: _____ EXPIRATION DATE OF NOTICE OF COMMENCEMENT: _____

EXPIRATION DATE MAY NOT BE BEFORE THE COMPLETION OF CONSTRUCTION AND FINAL PAYMENT TO CONTRACTOR BUT WILL BE ONE (1) YEAR FROM THE DATE OF RECORDING UNLESS A DIFFERENT DATE IS SPECIFIED

WARNING TO OWNER: ANY PAYMENTS MADE BY THE OWNER AFTER THE EXPIRATION OF THE NOTICE OF COMMENCEMENT ARE CONSIDERED IMPROPER PAYMENTS UNDER CHAPTER 713, PART I, SECTION 713.13, FLORIDA STATUTES AND CAN RESULT IN YOUR PAYING TWICE FOR IMPROVEMENTS TO YOUR PROPERTY. A NOTICE OF COMMENCEMENT MUST BE RECORDED AND POSTED ON THE JOB SITE BEFORE THE FIRST INSPECTION. IF YOU INTEND TO OBTAIN FINANCING, CONSULT WITH YOUR LENDER OR AN ATTORNEY BEFORE COMMENCING WORK OR RECORDING YOUR NOTICE OF COMMENCEMENT.

UNDER PENALTIES OF PERJURY, I DECLARE THAT I HAVE READ THE FOREGOING AND THAT THE FACTS IN IT ARE TRUE TO THE BEST OF MY KNOWLEDGE AND BELIEF (SECTION 92.525, FLORIDA STATUTES).

SIGNATURE OF OWNER OR LESSEE OR OWNER'S AUTHORIZED OFFICER/DIRECTOR/PARTNER/MANAGER/ATTORNEY-IN-FACT

SIGNATORY'S TITLE/OFFICE

THE FOREGOING INSTRUMENT WAS ACKNOWLEDGED BEFORE ME THIS _____ DAY OF _____, 20____

BY: _____ AS _____ TYPE OF AUTHORITY _____ FOR _____ PARTY ON BEHALF OF WHOM INSTRUMENT WAS EXECUTED

PERSONALLY KNOWN _____ OR PRODUCED IDENTIFICATION _____ TYPE OF IDENTIFICATION PRODUCED _____

NOTARY SIGNATURE/ SEAL